

Y12 Applied Technology Worksheet # 6

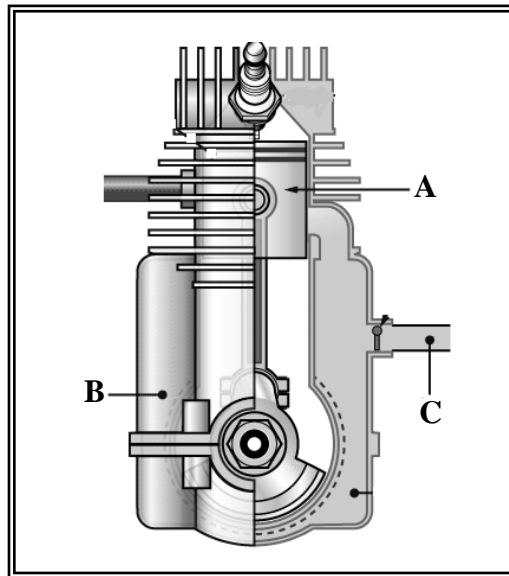
Note: Students to attempt this at the back of their exercise book.

QUESTION 6

SMALL ENGINES

(10 marks)

- (a) Study the diagram of the parts of a two-stroke engine given below and answer the questions that follow.



Source: *Year 12 Applied Technology*, Ministry of Education, 2012.

- (i) Name the parts labelled **A**, **B** and **C**. (3 marks)
- (ii) Name the parts that provide the following functions in a two-stroke engine:
- I. Surrounds and protects all other parts of the engine.
 - II. Traps dirt and sediment from the gas before it is delivered to the carburetor.
 - III. Ignites the air/fuel mixture.
- (3 marks)
- (b) (i) Sketch and label the exhaust and intake ports of a two-stroke engine. (2 marks)
- (ii) Explain how a two-stroke engine is lubricated and cooled. (2 marks)

